

intellaspot XT-1

Hard-edge automated luminaire



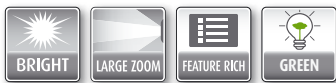
Key features

- Auto-ranging 100-240V 50/60 Hz
- High efficiency 20,000 lumens
- 850w HID lamp - 750 hrs.
- 5:1 zoom - 11°-55°
- CMY color mixing plus variable CTO
- Color wheel with replaceable positions
- Two seven position plus open rotating gobo wheels
- Rotating prism
- Animation system
- Mechanical and electronic strobe
- Variable soft edge
- Fast mechanical iris
- Color LCD menu with battery operation
- Low ambient noise
- RDM compatible

Barco's intellaspot XT-1 represents the next generation in innovative optics, with a high light output, energy efficiency, zoom range, and overall feature set — all at a highly economical price point. The fixture is a hard-edged moving yoke light that features smooth CMY color mixing as well as variable CTO. Its fixed color wheel allows instant color choices via easily exchangeable dichroic filters. Two rotating Lithopattern® wheels, each with seven patterns plus open, provide a large number of output patterns and images. The output can be further enhanced with a rotating prism and an animation wheel.

With a powerful optical system, the intellaspot XT-1 not only produces a strong 20,000 lumens light output from its 850w HID lamp, but also provides clear projections with a large zoom range of 11° to 55°. With its fast mechanical iris, variable soft edge and electronic strobing, the intellaspot XT-1 is truly a full-featured automated luminaire.

Built on an entirely new platform, the intellaspot XT-1 combines new technologies to create an exceptionally energy-efficient fixture that is fully in line with a green approach to technology. A battery-controlled full color LCD menu system enables fixture addressing without having to power up the unit. Low ambient noise, RDM, Art-Net, and wireless DMX capabilities make the intellaspot XT-1 the professional choice for a wide variety of applications.



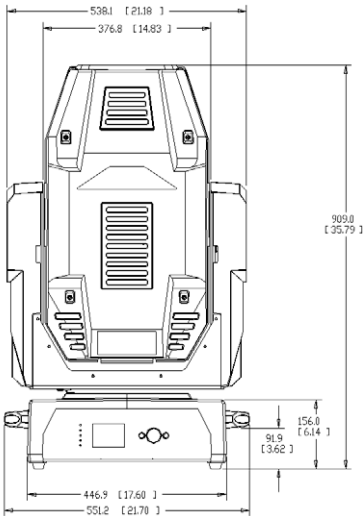
HIGH END SYSTEMS



BARCO

Visibly yours

Dimensions



Weight

115 lbs (52.16k kg)

Optional

- Art-Net
- Wireless DMX
- Touring roadcase



HIGH END SYSTEMS



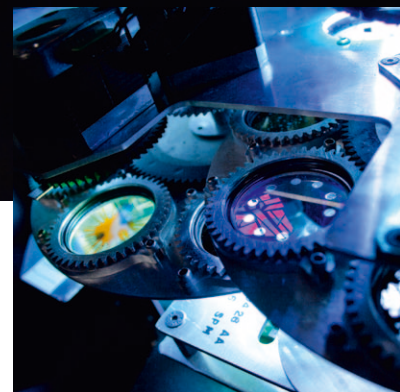
M00375-R02-1110-DS
The information and data given are typical for the equipment described. However any individual item is subject to change without any notice. The latest version of this brochure can be found on www.barco.com.



Easy carry yoke-arm handles



Optional touring roadcase



14 glass rotating gobos

Barco

Pres. Kennedypark 35, 8500 Kortrijk, Belgium
T +32 56 36 80 47 - F + 32 56 36 83 86
email: sales.events@barco.com

2105 Gracy Farms Lane
Austin, Texas 78758, USA
T +1 512 836 2242 - F +1 512 837 5290

11101 Trade Center Drive,
Rancho Cordova, CA 95670, USA
T +1 916 859 2500 - F +1 916 859 2515

BARCO

Visibly yours